

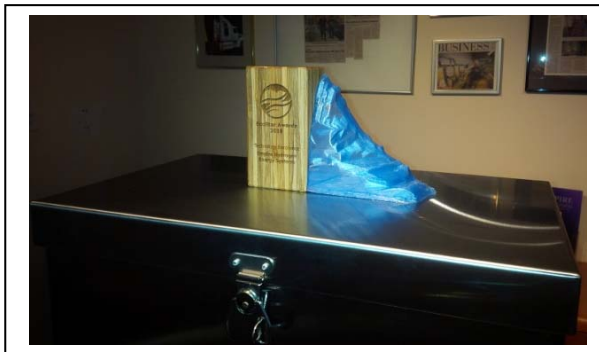
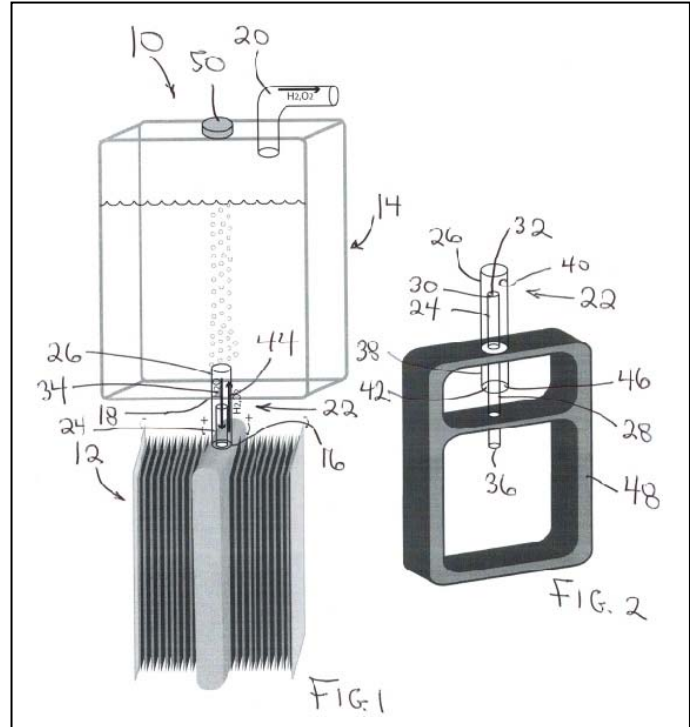


## Empire Hydrogen Develops and Applies for Patent on improved cell/reservoir design

**January 11, 2019: Empire Hydrogen Energy Systems** is very pleased to announce a significant improvement in the design of our water reservoir and electrolysis cell combination.

This design, coming from the mind of our new C.T.O. Doug Fortune, will improve the generation of H<sub>2</sub>,O<sub>2</sub> accelerant gases and, at the same time, dramatically cut the cost of production and improve profitability on each next generation Empire Hydrogen Fuel Enhancement System.

We have already applied for a patent on the new design, which we believe maintains Empire Hydrogen's position at the forefront of technological advancement in the hydrogen/oxygen fuel enhancement industry.



two major green awards. We look forward to future announcements about our progress with product development and market penetration.

Empire Hydrogen CEO Sven Tjelta and Executive VP Andrew Evans continue in our efforts to enhance shareholders' value. We are working diligently to obtain the significant investment that we require to undertake a worldwide market penetration campaign.

Empire Hydrogen is committed to an ongoing program of research and development on our Fuel Enhancement System. It is because of this commitment that Empire has been the recipient of



For more information please contact Andrew Evans or Sven Tjelta directly at 778.426.0911